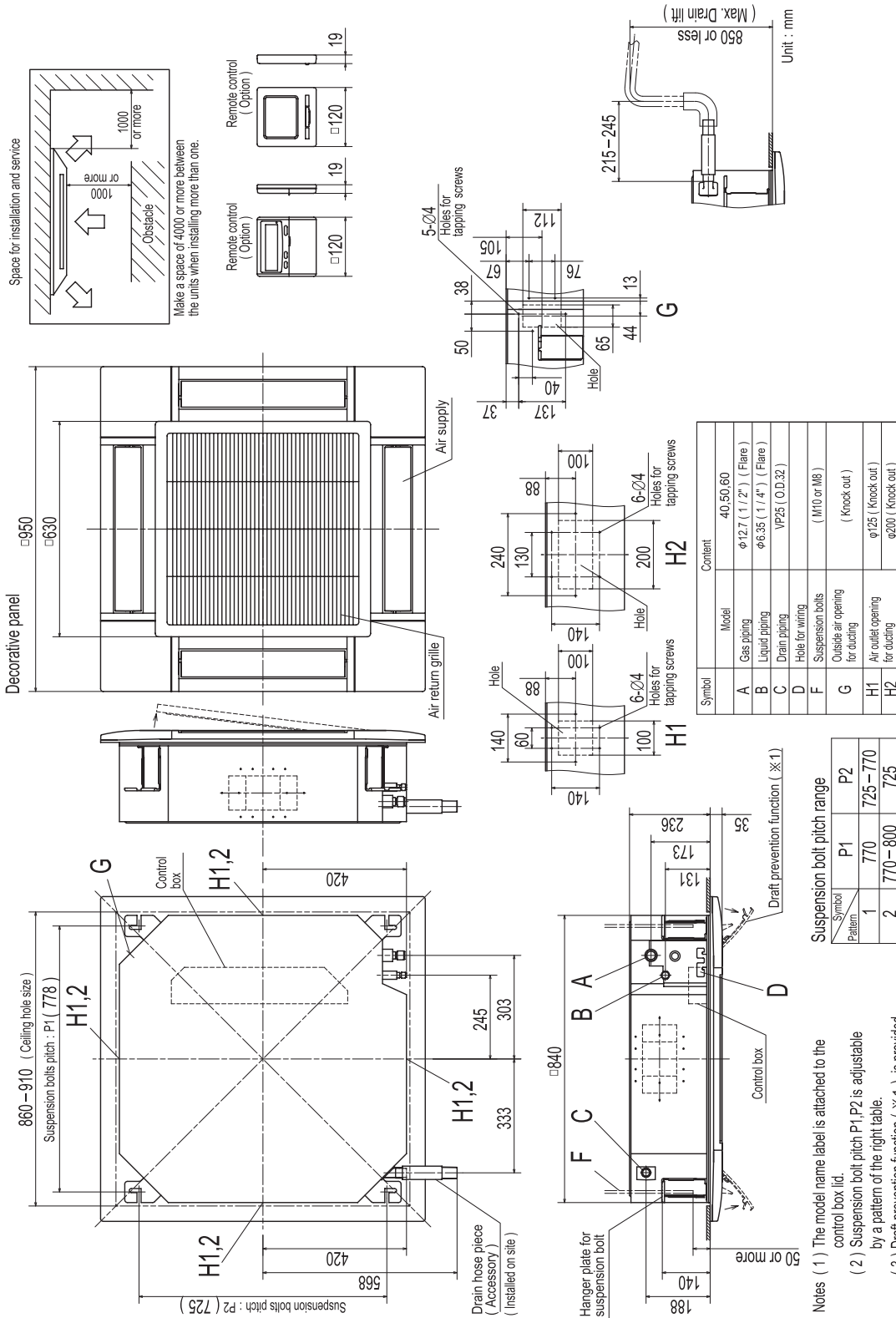


## 2. EXTERIOR DIMENSIONS

### (1) Indoor units

Models FDT40VH, 50VH, 60VH

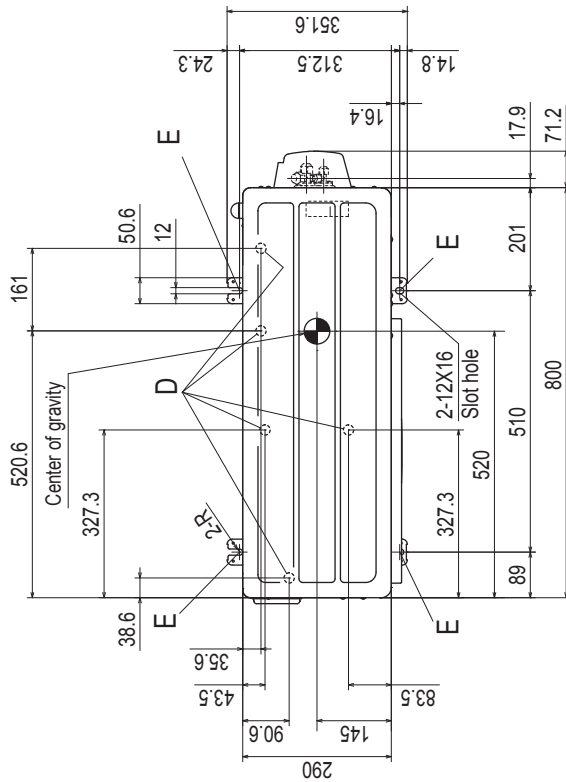


- Notes (1) The model name label is attached to the control box lid.
- (2) Suspension bolt pitch P1,P2 is adjustable by a pattern of the right table.
- (3) Draft prevention function (※1) is provided on the panel T-PSAE-5AW-E only.

PJF000Z552

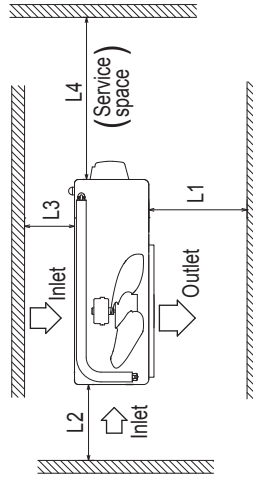
**(2) Outdoor units**  
**Models SRC40ZSX-W1, 50ZSX-W1, 60ZSX-W1**

Symbol	Content
A	Service valve connection (Gas side) $\phi 12.7(1/2")(\text{Flare})$
B	Service valve connection (Liquid side) $\phi 6.35(1/4")(\text{Flare})$
C	Pipe/cable draw-out hole
D	Drain discharge hole $\phi 20 \times 5$ places
E	Anchor bolt hole M10-12x4 places



**Notes**

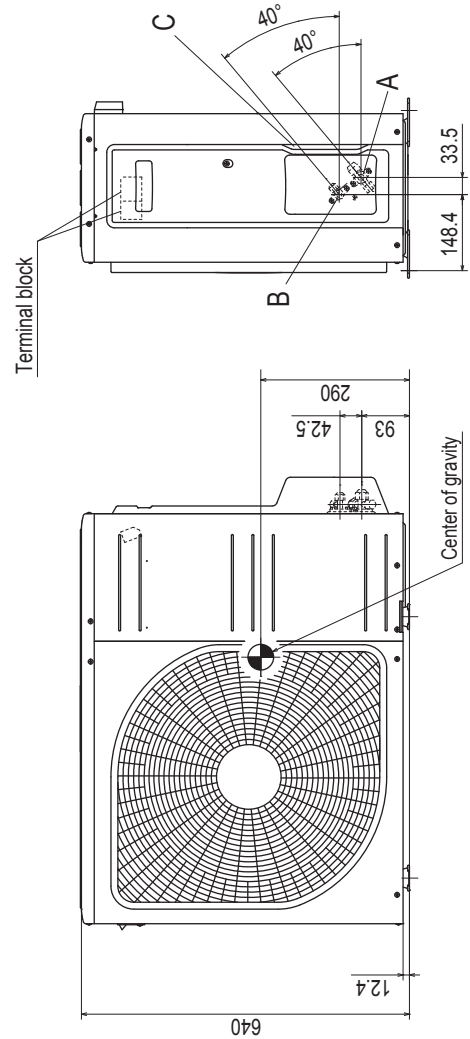
- (1) The unit must not be surrounded by walls on the four sides.
- (2) The unit must be fixed with anchor bolts. An anchor bolt must not protrude more than 15mm.
- (3) If the unit is installed in the location where there is a possibility of strong winds, place the unit such that the direction of air from the outlet gets perpendicular to the wind direction.
- (4) Leave 200mm or more space above the unit.
- (5) The wall height on the outlet side should be 1200mm or less.
- (6) The model name label is attached on the front side of the unit.



Minimum installation space

Examples installation	I	II	III	IV
Size	Open	280	280	180
L1	100	75	Open	Open
L2	100	80	80	80
L3	250	Open	250	Open
L4	Open	Open	Open	Open

Unit:mm



PCA001Z845